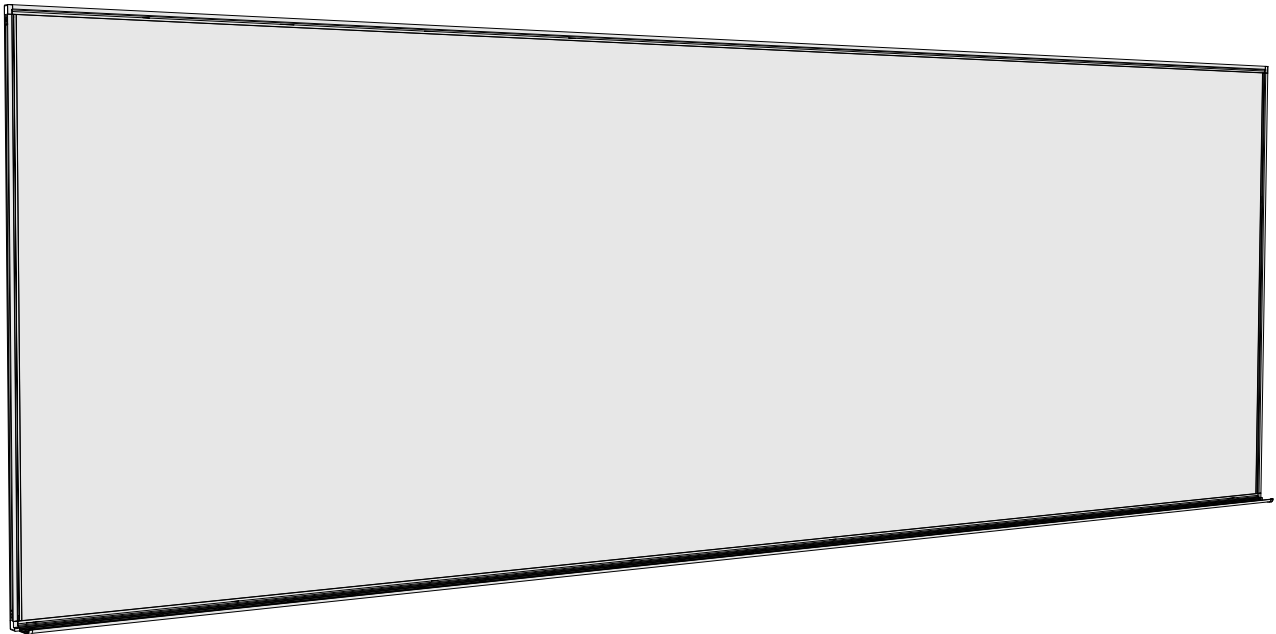




**LEARNING
SURFACES**

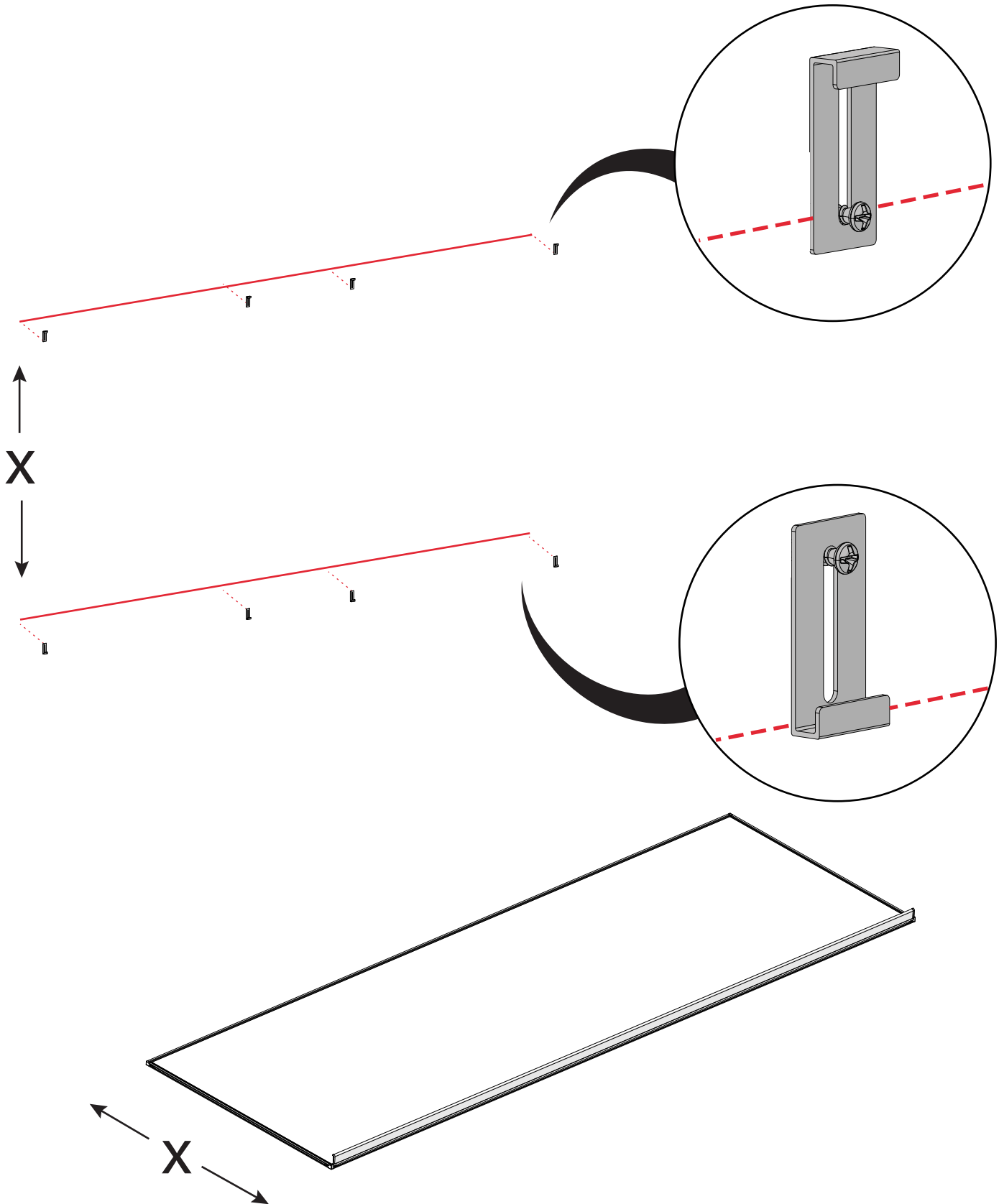
Markerboard & Corkboard

Assembly & Installation



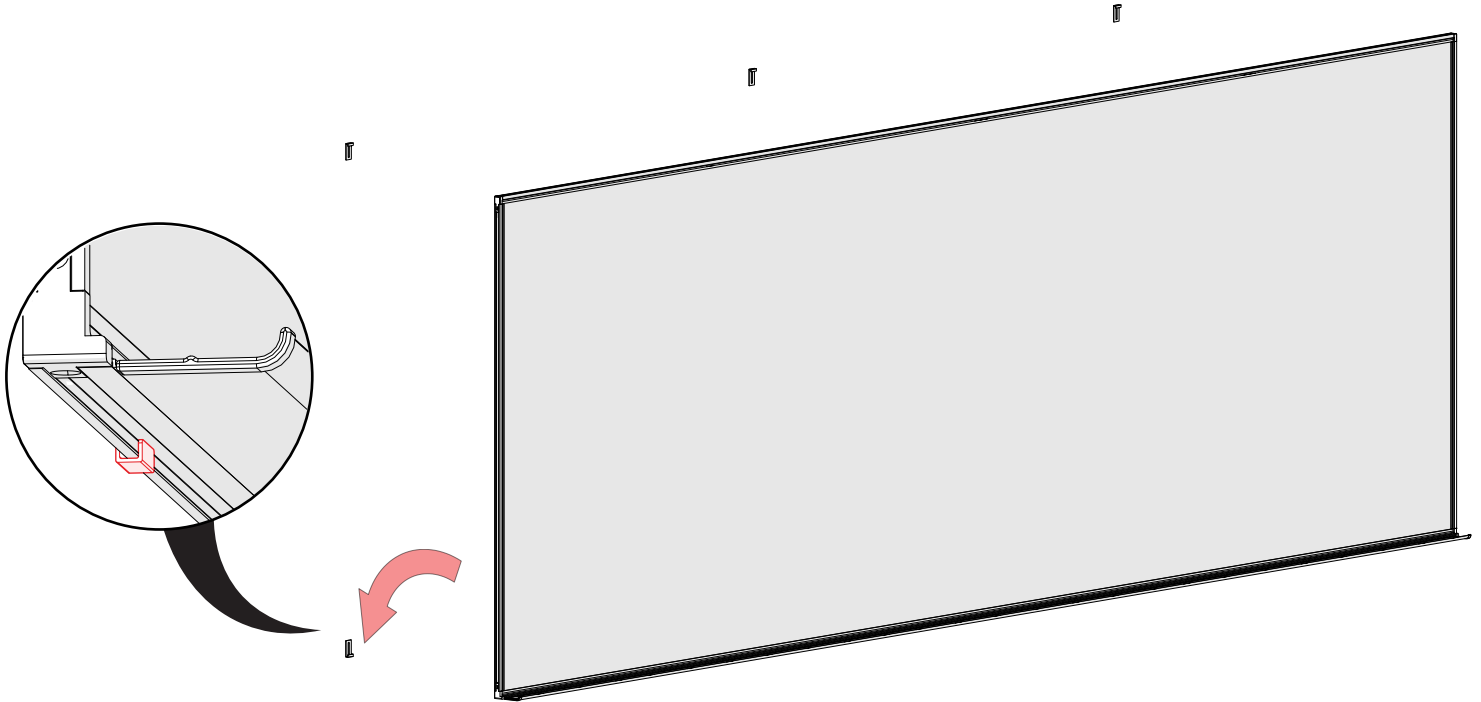
Step 1

Mark two lines on the wall to match the full height of the board. Install brackets into the wall.



Step 2

Carefully lift the boards and place onto bottom hooks.



Step 3

Push down the top clips to secure the top frame of the board. This may require a rubber mallet.

