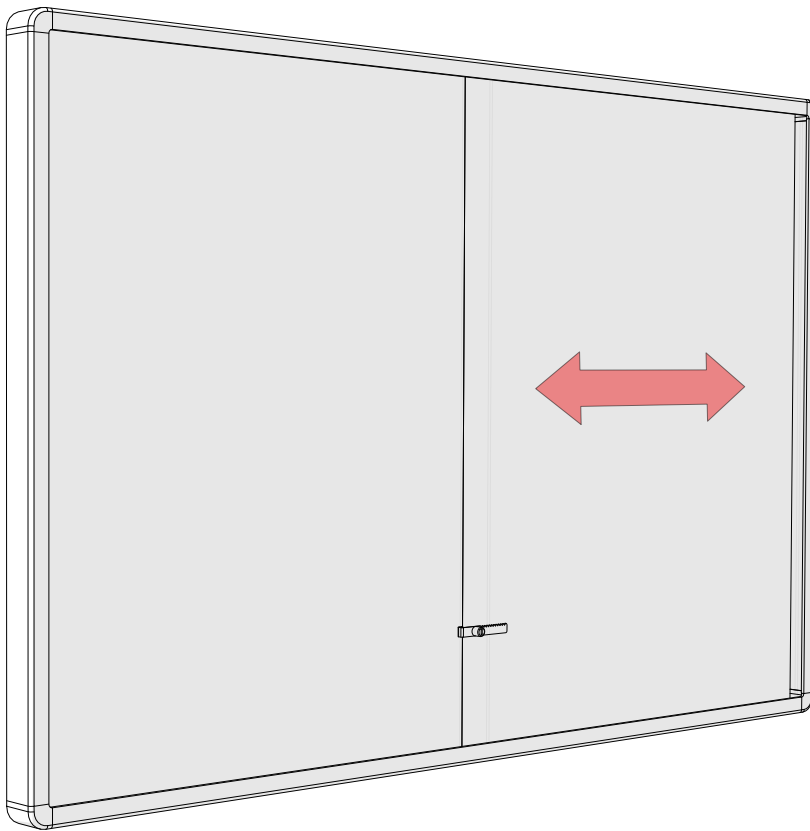




**LEARNING
SURFACES**

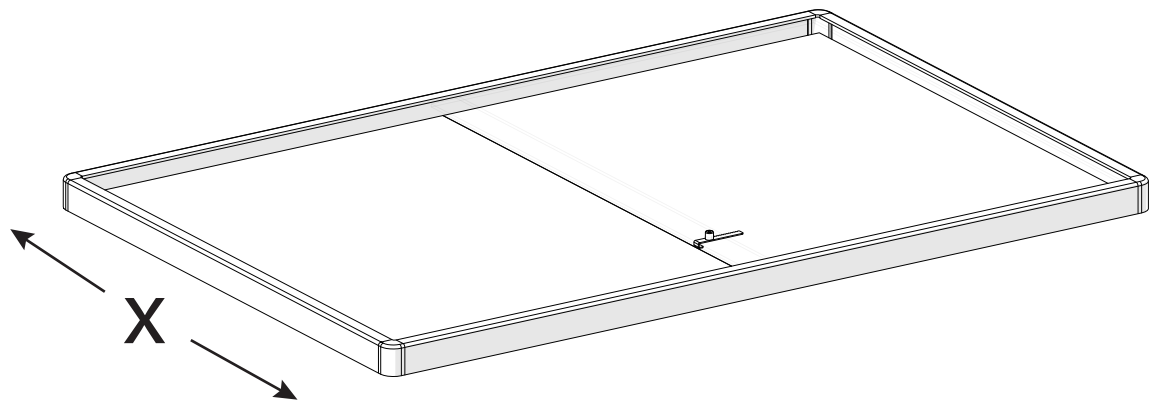
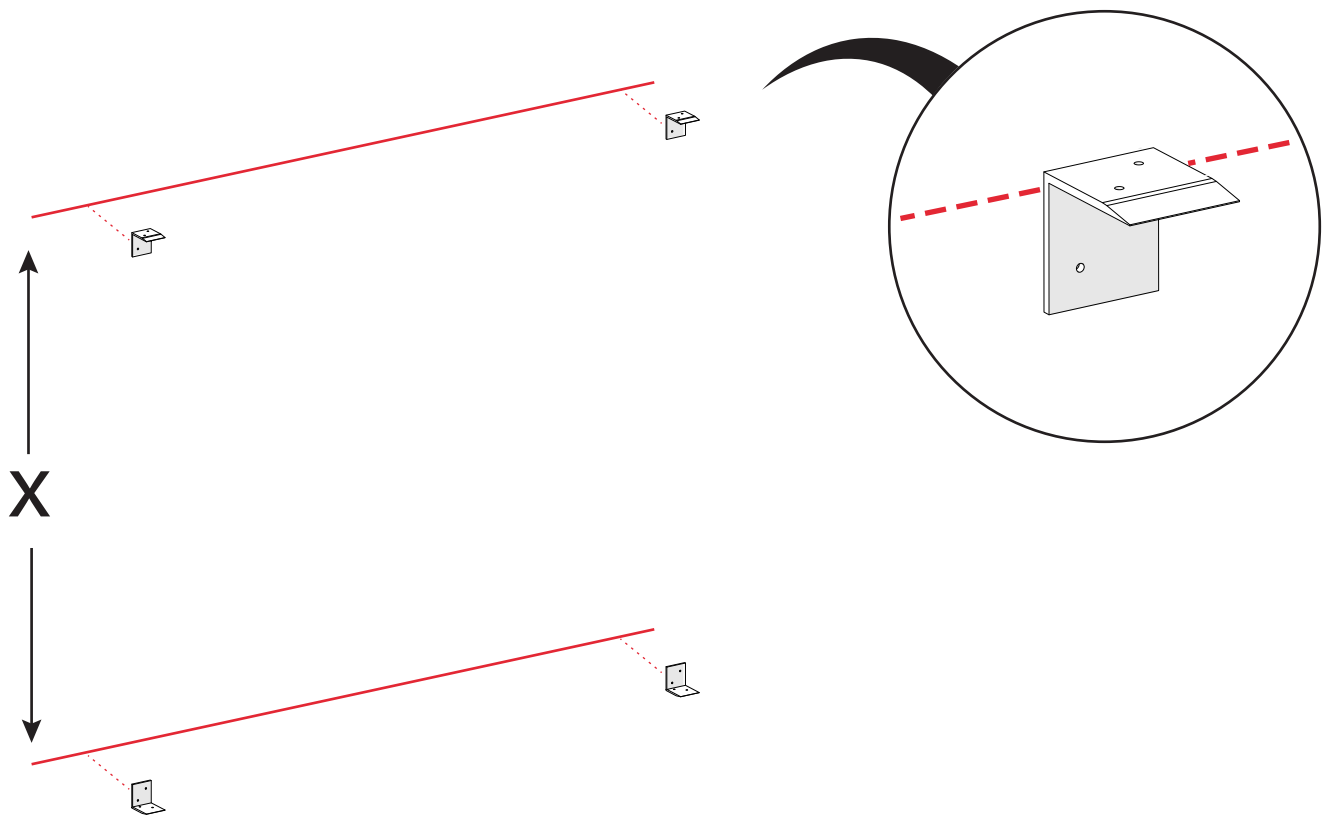
Bulletin Board

Assembly & Installation



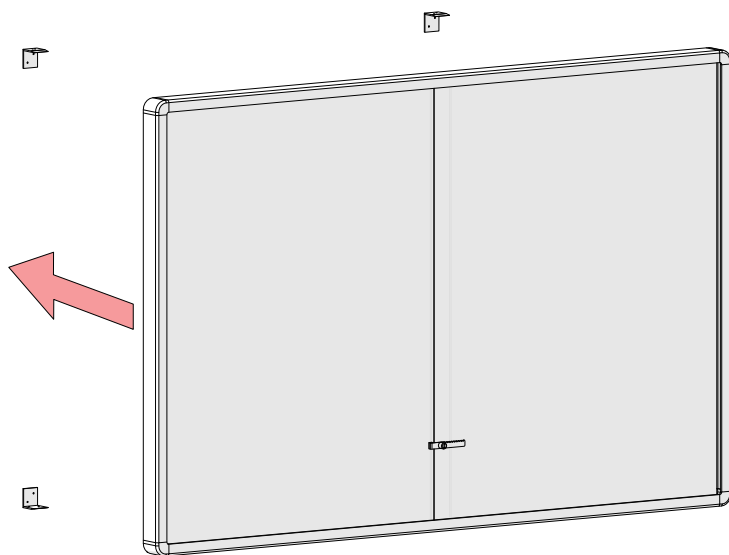
Step 1

Mark two lines on the wall to match the full height of the markerboard assembly. Install “L” brackets into the wall.



Step 2

Carefully lift the bulletin board assembly and set onto the brackets.



Step 3

Fasten brackets to the frame to complete installation.

